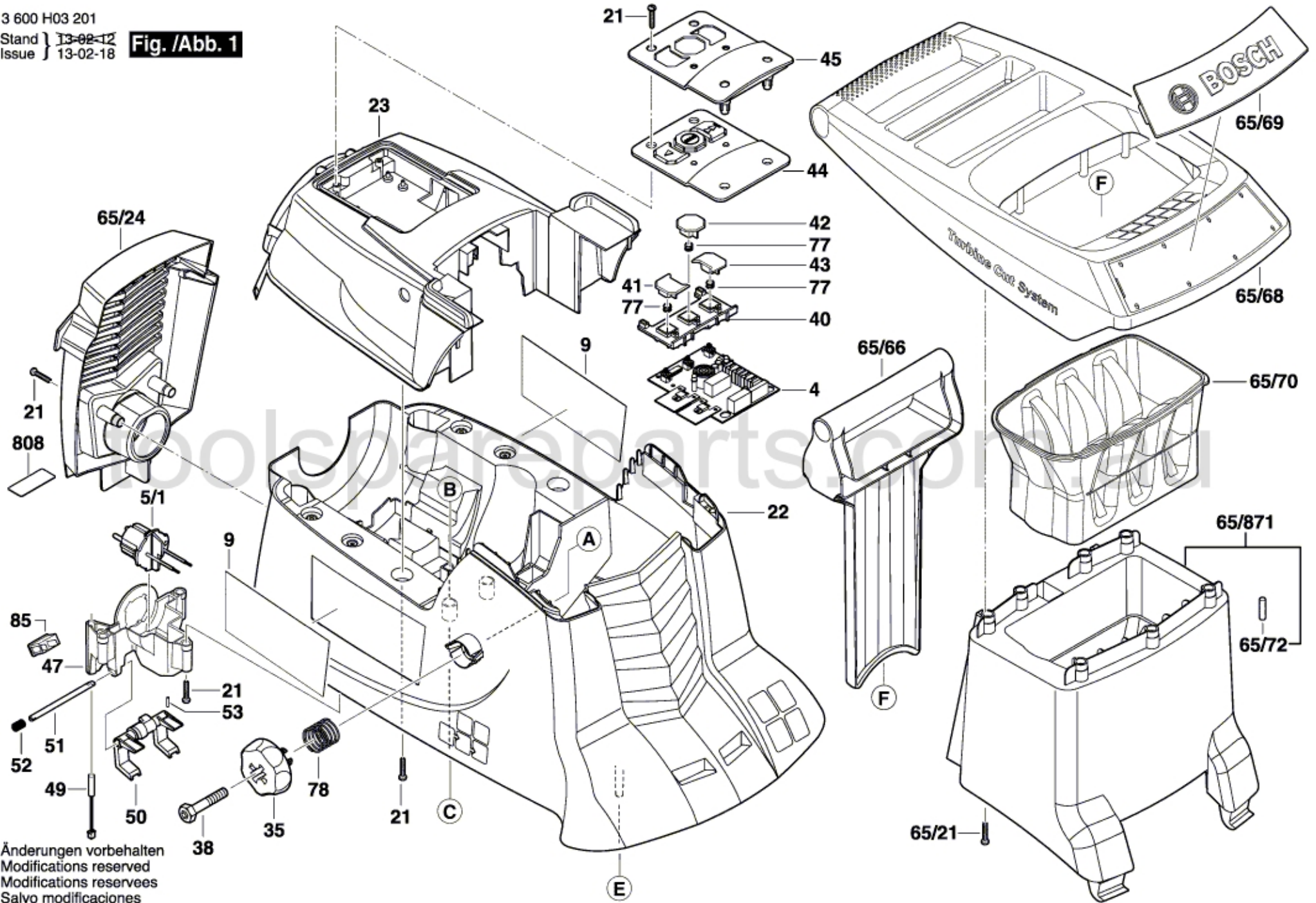


3 600 H03 201

Stand } 13-02-12
Issue } 13-02-18

Fig. /Abb. 1



Änderungen vorbehalten
Modifications reserved
Modifications reserves
Salvo modificaciones